

Eaton B154SS4

Catalog Number: B154SS4

Eaton B-Line series open angle, 1.62" H x 4.4830" L x 2.35" W,
Steel, Stainless steel type 304, 1/4" Gauge

General specifications

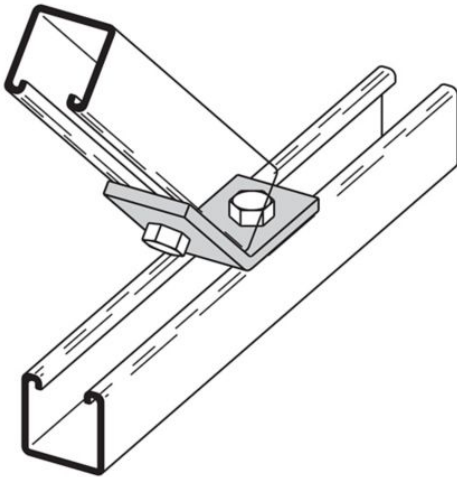


Photo is representative

| | |
|--------------------------------|----------------------|
| Product Name | Catalog Number |
| Eaton B-Line series open angle | B154SS4 |
| UPC | Product Length/Depth |
| 781011858285 | 4.483 in |
| Product Height | Product Width |
| 1.62 in | 2.35 in |
| Product Weight | Certifications |
| 0.58 lb | Not Applicable |

Model

Type

Two hole open angle, 45 deg

Material/finish

Finish

Stainless steel type 304

Material

Steel

Material gauge

1/4"

Resources

Catalogs

[Channel Nuts and Hardware Catalog Section](#)

[Strut Fittings Catalog Section](#)

Specifications and datasheets

[Eaton Specification Sheet - B154SS4](#)



Eaton Corporation plc
Eaton House
30 Pembroke Road
Dublin 4, Ireland
Eaton.com
© 2024 Eaton. All Rights Reserved.

Eaton is a registered trademark.

All other trademarks are property of their respective owners.



[Eaton.com/socialmedia](https://www.eaton.com/socialmedia)